

LF Receiver Antenna CAK12D21



Description

- LF receiver antenna for Z axis.
- Low profile.
- High Reliability.
- D × H: $\Phi 12.3\text{mm} \times 2.3\text{mm Max.}$
- Product weight: 0.2g Ref..
- RoHS compliance.

Environmental Data

- Operating temperature range: $-40^{\circ}\text{C} \sim +85^{\circ}\text{C}$
- Storage temperature range: $-40^{\circ}\text{C} \sim +125^{\circ}\text{C}$

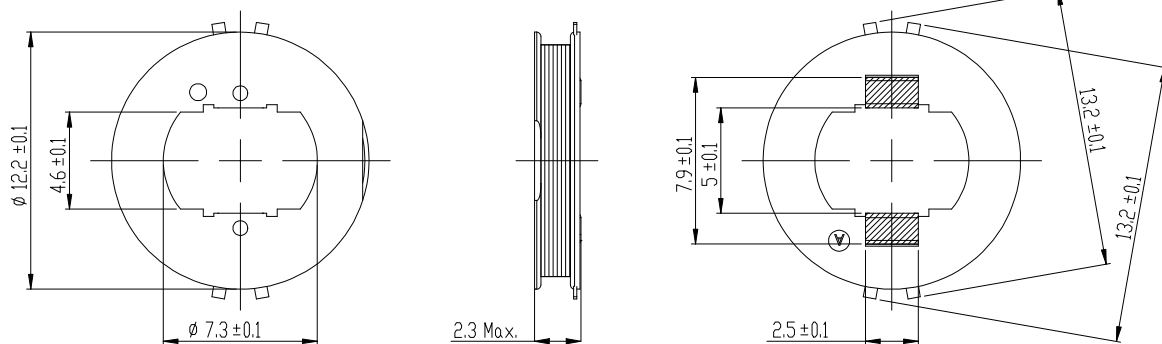
Packaging

- Carrier Tape and Reel.
- Tape specification according to EIA481.
- 1000pcs/reel.

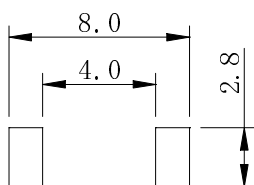
Applications

- PEPS, Smart key system.
- Security system

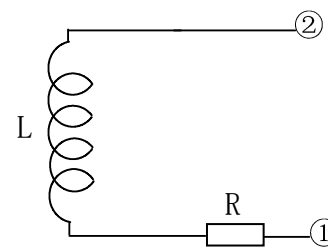
Dimension - [mm]



Suggest PCB layout - [mm]



Schematic diagram



L: Ferrite core coil inductance.
R: Copper resistance.

LF Receiver Antenna CAK12D21



Electrical Characteristics

NO.	PART NAME	STAMP	INDUCTAN CE (mH)	UNLOADED Q	S.R.F. Min. (kHz)	D.C.R REF.(Ω)
1	CAK12D21-102	102	$1.0 \pm 3\%$	$13.9 \pm 10\%$	1500	52
2	CAK12D21-232	232	$2.36 \pm 3\%$	$13.7 \pm 10\%$	950	118
3	CAK12D21-342	342	$3.45 \pm 3\%$	$12.9 \pm 10\%$	760	181
4	CAK12D21-382	382	$3.8 \pm 3\%$	$13.5 \pm 10\%$	740	192
5	CAK12D21-472	472	$4.7 \pm 3\%$	$14.4 \pm 10\%$	680	217
6	CAK12D21-602	602	$6.0 \pm 3\%$	$13.3 \pm 10\%$	580	302
7	CAK12D21-682	682	$6.8 \pm 3\%$	$14.8 \pm 10\%$	550	320
8	CAK12D21-722	722	$7.2 \pm 3\%$	$15.3 \pm 10\%$	550	333

* It is possible for different inductance value.